

JOLIET JUNIOR COLLEGE

EVENT CENTER

1215 HOUBOLT ROAD, JOLIET, IL 60431

GRAPHICS BID PACKAGE

DKA PROJECT NO: 16-025

2016-08-31

SHEET INDEX:

A13.01 ELEVATIONS
A13.02 ELEVATIONS



ARCHITECT:

DEMONICA KEMPER ARCHITECTS
125 N. HALSTED ST., SUITE 301
CHICAGO, IL 60661
T: 312.496.0000 F: 312.496.0001

STRUCTURAL AND MEP ENGINEERING

KJWW ENGINEERING CONSULTANTS
1100 WARRENVILLE RD., STE. 400W
NAPERVILLE, IL 60563
P: 630.527.2320

CIVIL ENGINEERING

RUETTIGER, TONELLI & ASSOC., INC.
129 CAPISTA DR.
SHOREWOOD, IL 60404
P: 815.744.6600

KEY PLAN:

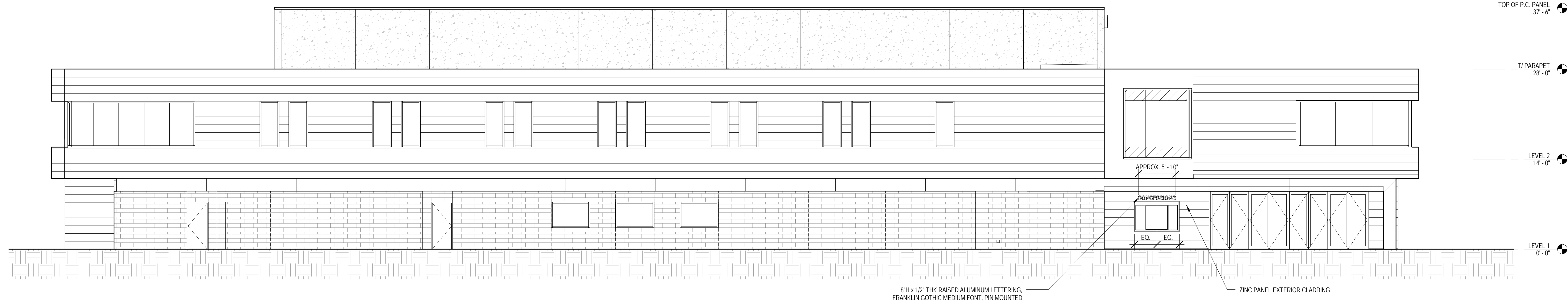
SHEET STATUS: 08/31/16
**GRAPHICS BID
 PACKAGE**

| NO. | DESCRIPTION: | DATE: |
|-----|--------------|-------|
| | | |
| | | |
| | | |
| | | |
| | | |
| | | |

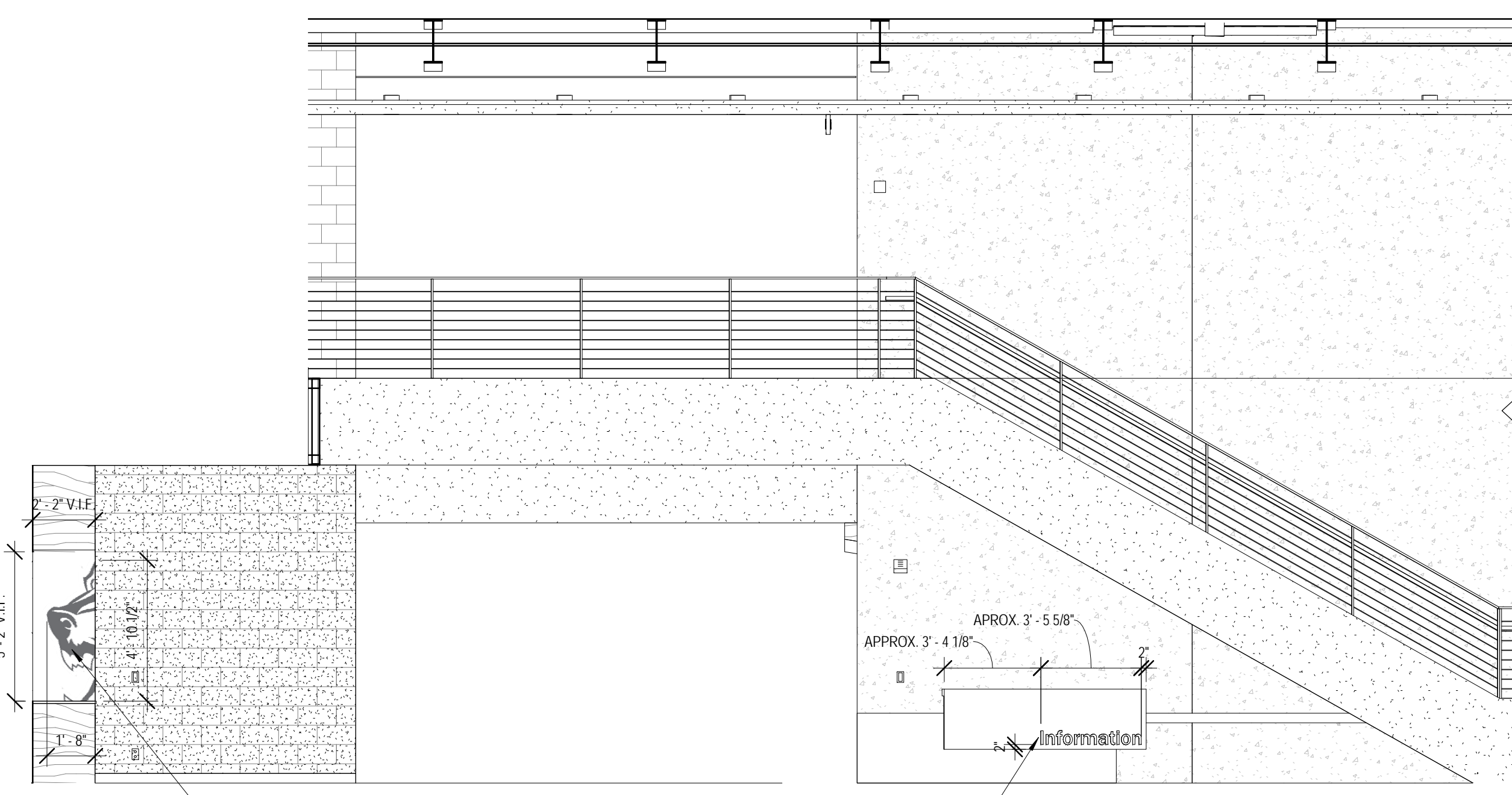
SHEET TITLE:
ELEVATIONS

SHEET NUMBER:

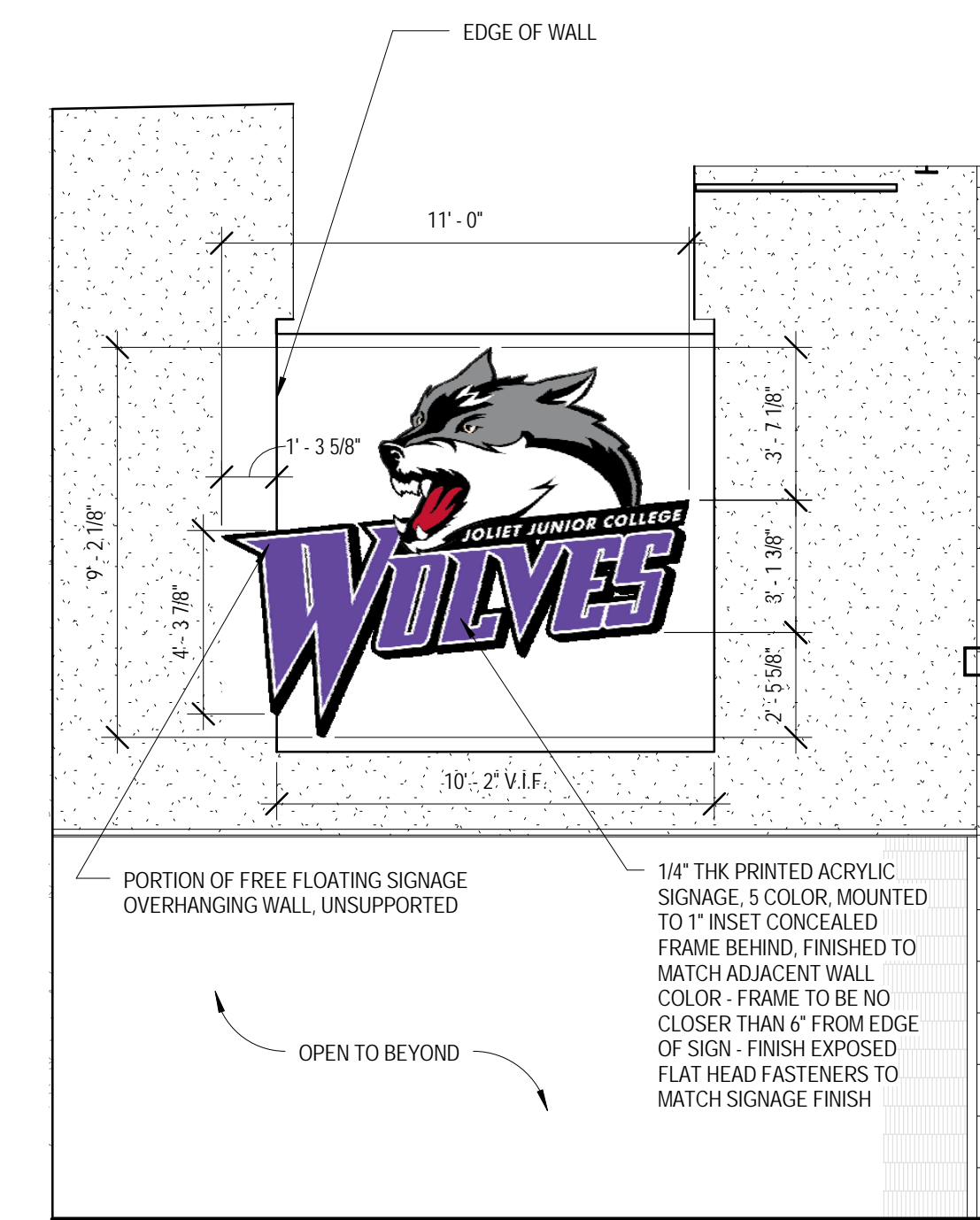
A13.01



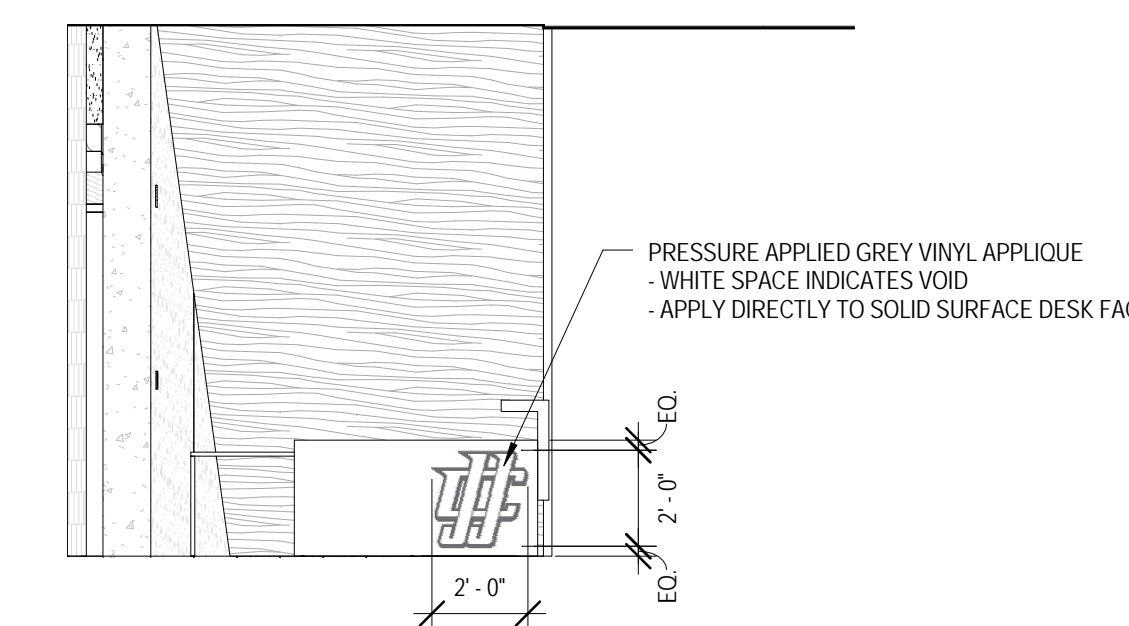
1 SOUTH ELEVATION
 1/8" = 1'-0"



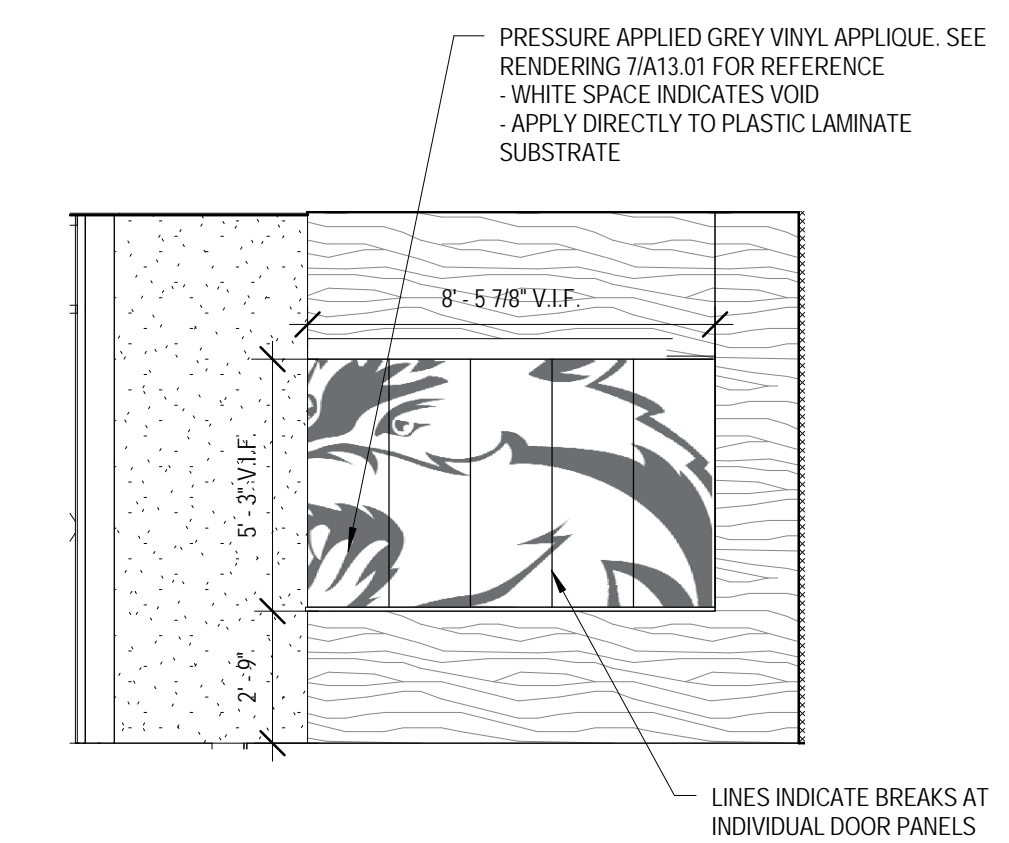
2 INTERIOR ELEVATION - CORRIDOR 1101 WEST A
 1/4" = 1'-0"



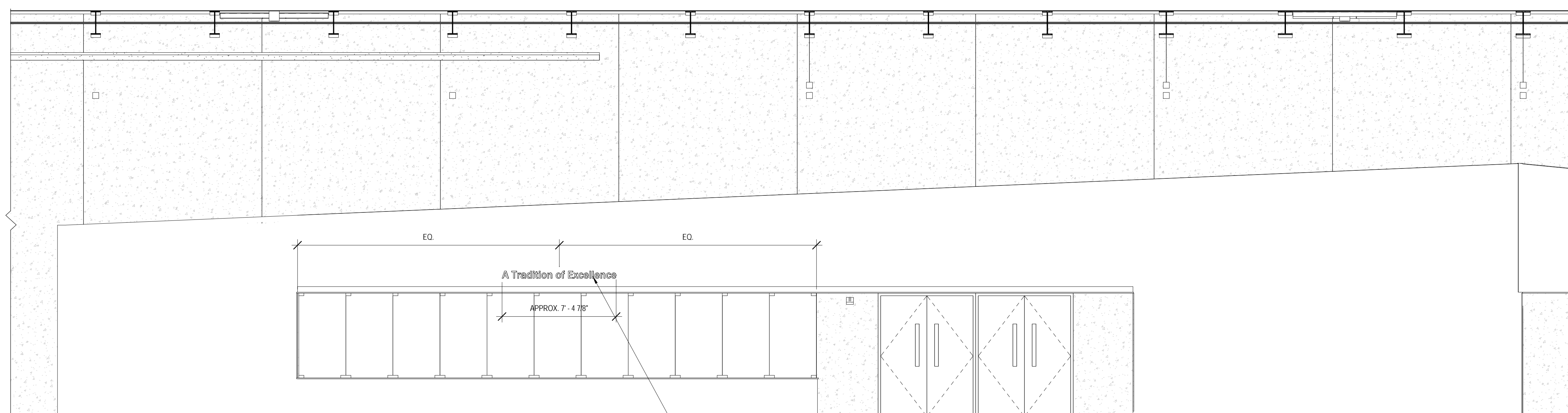
3 INTERIOR ELEVATION - CORRIDOR 1101 NORTH
 1/4" = 1'-0"



4 INTERIOR ELEVATION - RECEPTION DESK
 1/4" = 1'-0"



5 INTERIOR ELEVATION - CORRIDOR 1101 SOUTH
 1/4" = 1'-0"

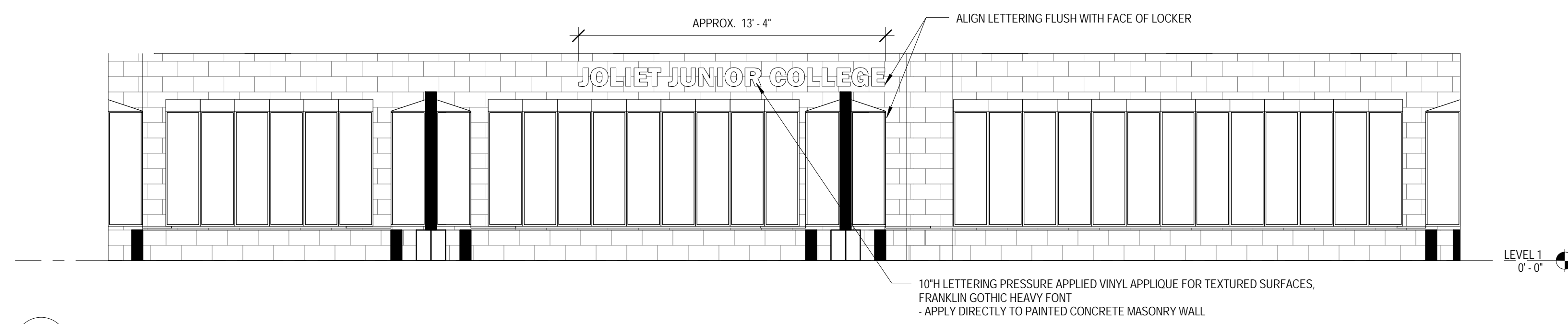


6 INTERIOR ELEVATION - CORRIDOR 1101 WEST B
 1/4" = 1'-0"

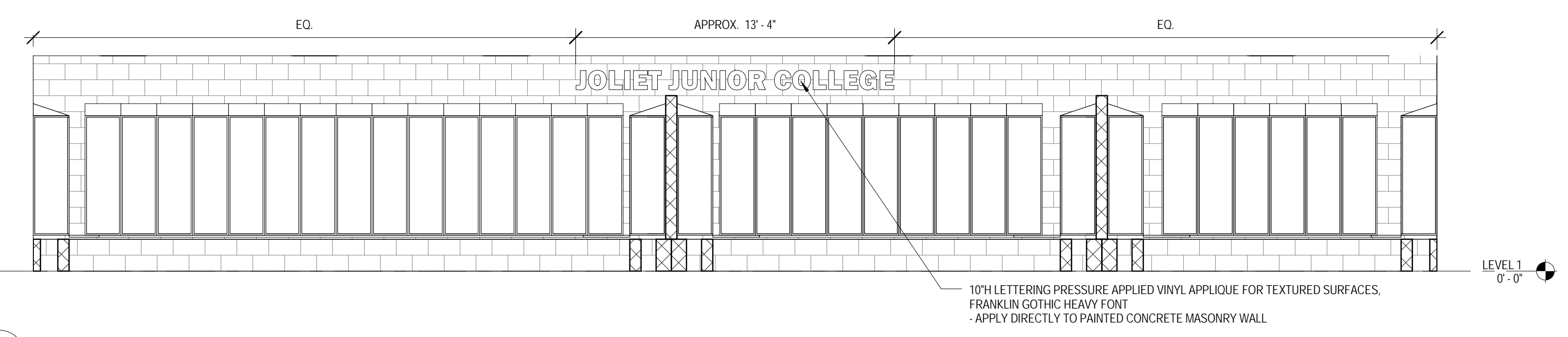


7 CONCESSIONS RENDERING
 1/2" = 1'-0"

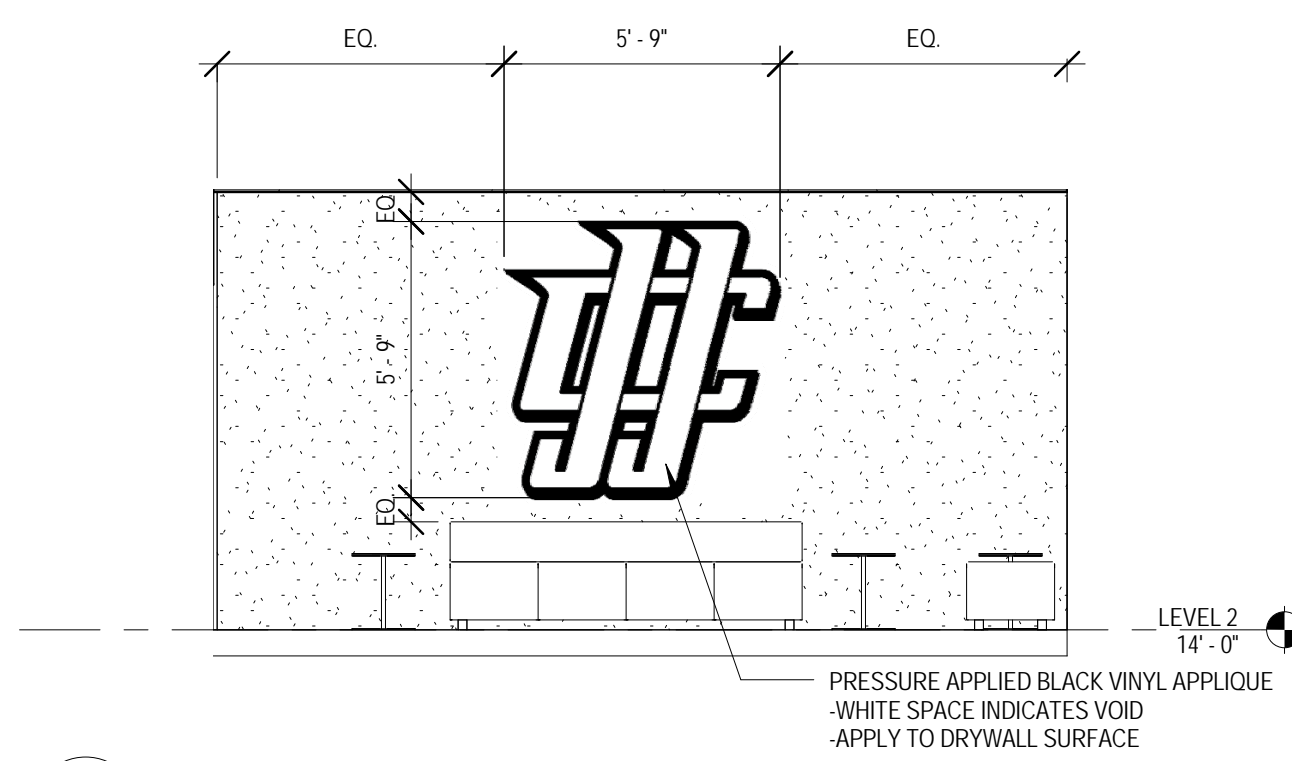
| NO. | DESCRIPTION: | DATE: |
|-----|--------------|-------|
| | | |
| | | |
| | | |
| | | |
| | | |



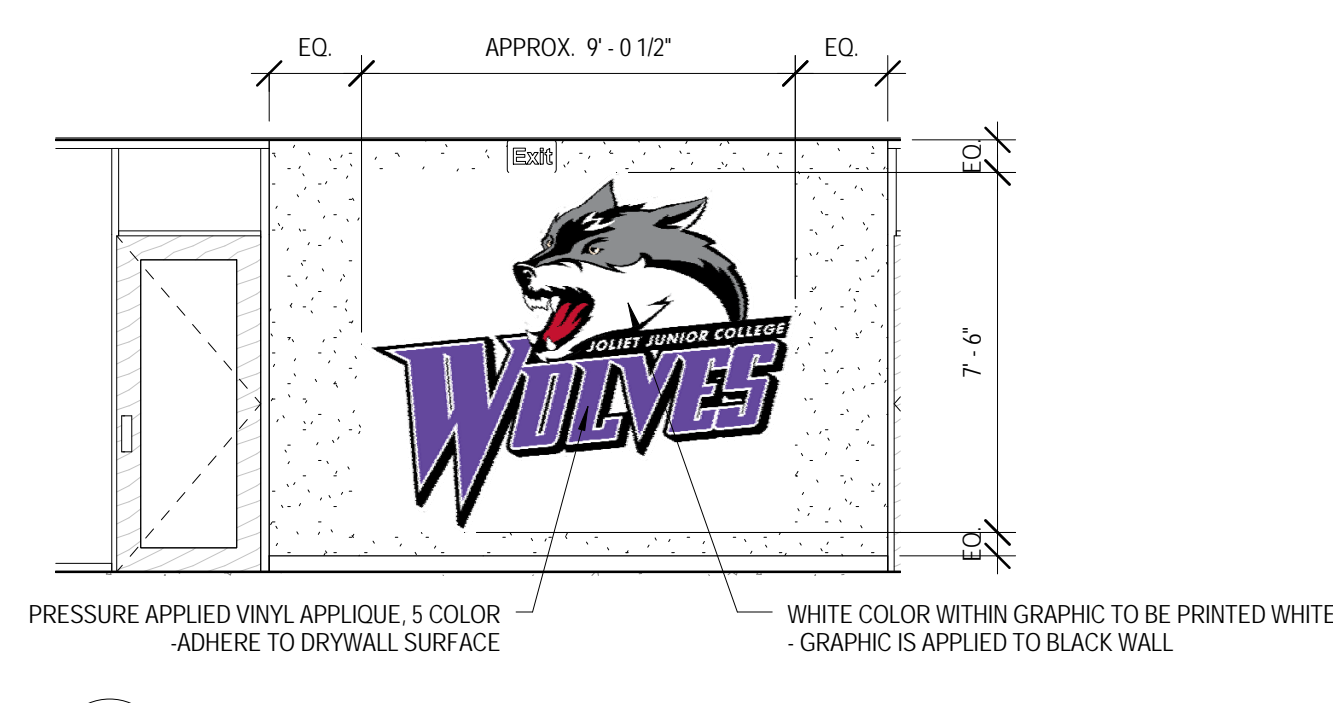
1 MENS LOCKER ROOM 1013 WEST
 1/4" = 1'-0"



2 WOMENS LOCKER ROOM 1011 EAST
 1/4" = 1'-0"



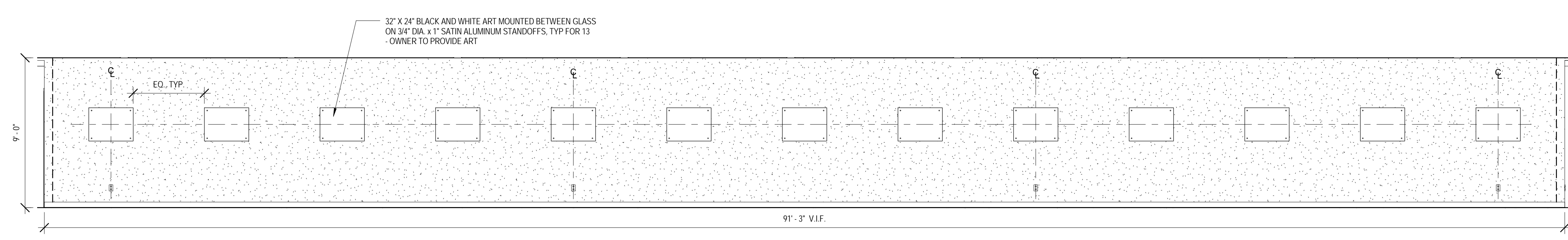
3 INTERIOR ELEVATION - ELEVATOR LOBBY WEST
 1/4" = 1'-0"



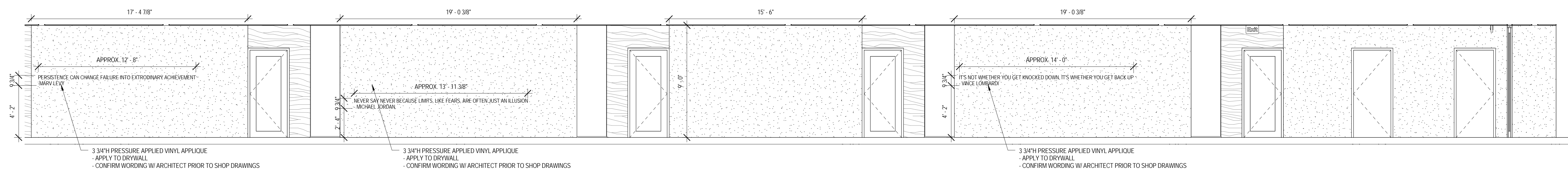
4 INTERIOR ELEVATION - WAITING AREA 2109 WEST
 1/4" = 1'-0"



5 BANNERS
 1/2" = 1'-0"



6 INTERIOR ELEVATION - CORRIDOR 2106 SOUTH
 1/4" = 1'-0"



7 INTERIOR ELEVATION CORRIDOR 2106 NORTH
 1/4" = 1'-0"